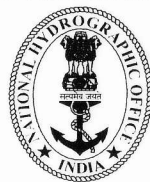
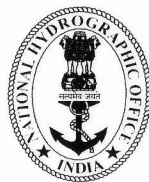
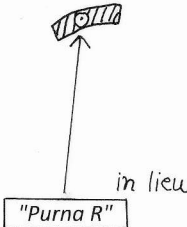

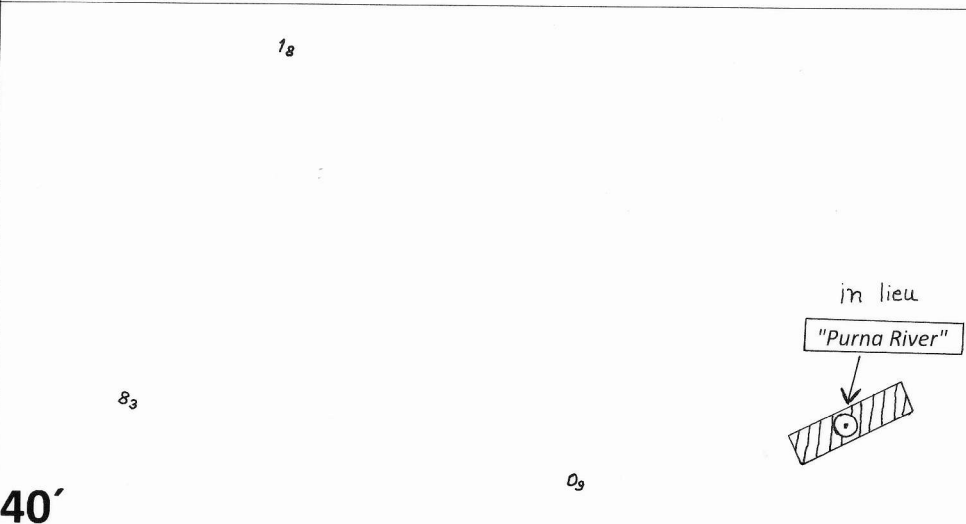

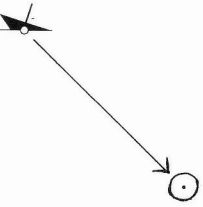



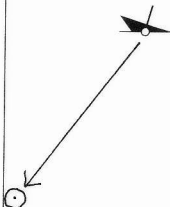
CAUTION: TRACINGS ARE NOT TO SCALE,
FOR VISUAL APPRECIATION ONLY.





Folio 02	NM 142/18 PREVIOUS UPDATE 129/18		NC / NE 15 APR 18	Chart No. 292 (INT 7021)
21°00'				
72° 00'	22	10 ₃ "Purna R" in lieu 		
Caution: Some computer printers might distort the tracings. Users are advised to check and if necessary, adjust settings on their printers.				

Folio 03	NM 142/18		NC / NE	Chart No. 209
	PREVIOUS UPDATE 128/18		30 JUN 2007	
21°00'				
072° 40'	<div style="text-align: center;">  </div>			
Caution: Some computer printers might distort the tracings. Users are advised to check and if necessary, adjust settings on their printers.				

Folio 04	NM 143/18		NC / NE	Chart No.
	PREVIOUS UPDATE 204/16		30 APR 2016	268 (INT 7353)
<p>1934</p> <p>10°30'</p>		 <p>1680</p>		
<p>072° 30'</p>		<p>755</p>		
<p>Caution: Some computer printers might distort the tracings. Users are advised to check and if necessary, adjust settings on their printers.</p>				

Folio 04	NM 143/18		NC / NE	Chart No. 2023
	PREVIOUS UPDATE 204/16		15 JUN 2014	
<p>422</p> <p>192</p> <p>10°34'</p>		<p>55</p> 		
		072° 38'		
<p>Caution: Some computer printers might distort the tracings. Users are advised to check and if necessary, adjust settings on their printers.</p>				

Folio 05	NM 144/18		NC / NE	Chart No. 3033
	PREVIOUS UPDATE 130/18		15 MAY 2013	
10°50'				
	<p style="text-align: center;">10₃</p> <p style="text-align: center;">8₈ "Lesser Depth (see Note)" 10₆</p> <p style="text-align: center;">↓</p> <p style="text-align: center;">○</p>			
079° 52'				
Caution: Some computer printers might distort the tracings. Users are advised to check and if necessary, adjust settings on their printers.				

Folio 05	NM 144/18		NC / NE	Chart No. 3033 (PLAN)
	PREVIOUS UPDATE 130/18		15 MAY 2013	
079° 53'				
<p>8₈</p> <p>"Lesser Depth (see Note)"</p> <p>↓</p> <p>○</p> <p>9₂</p> <p>10₆</p>				
53'				
<p>Caution: Some computer printers might distort the tracings. Users are advised to check and if necessary, adjust settings on their printers.</p>				